

C509 NRS Resilient Wedge Gate Valve PO x PO Ends

MODEL 3100

Specifications

- Meet or exceed the requirements of AWWA C509 standard.
- Full waterway.
- 2" Square Operating Nut.
- Bolted bonnet.
- EPDM Fully Encapsulated Ductile Iron Wedge.
- Triple O-Ring stem seal.
- Push-on joint outlet complies with ANSI/AWWA C110/A21.10 standard.

- UL/ULC 262 listed, FM 1120/1130 approved.
- Certificated to ANSI/NSF 61 & 372.

Working Pressure and Temperature

- 300 psi rated @ -10°C to 82°C.

Corrosion Protection

- Fusion bonded coating interior and exterior meet or exceed all applicable of AWWA C550 standard.

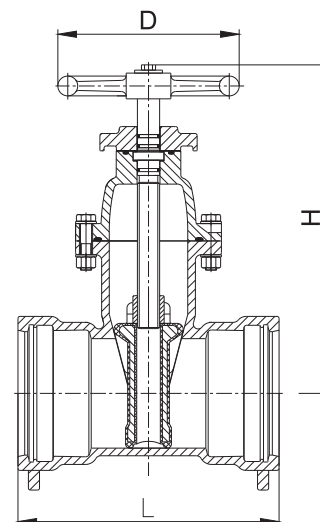
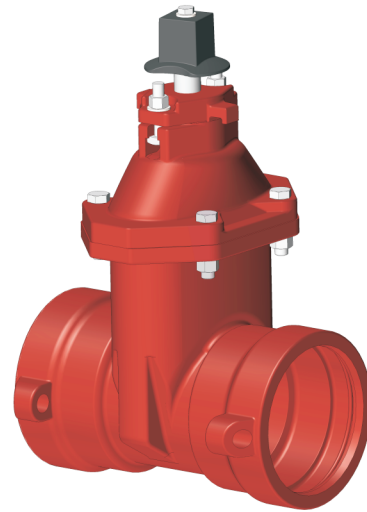
Options

- ASTM B150 or other standard bronze stem.
- ASTM A276 Grade 316 stem.
- 316 Stainless steel fasteners.
- Post flange.
- Handwheel

Material Specification

Part	Material	ASTM Specification
Body	Ductile Iron	A536 Grade 65-45-12
Wedge	EPDM Fully Encapsulated Ductile Iron Wedge	
Wedge Nut	Bronze	B148 C95200
Bonnet	Ductile Iron	A536 Grade 65-45-12
Stem	Stainless Steel	A276 Grade 304
Gland	Ductile Iron	A536 Grade 65-45-12
Operating Nut	Ductile Iron	A536 Grade 65-45-12
Post Flange	Ductile Iron	A536 Grade 65-45-12
Fasteners	Stainless Steel	F593 Grade 304
Body/Bonnet Gasket	NBR	D2000

Schematic



Main Dimensions (mm/inch)

Size	4	6	8	10	12
L	351/14.0	376/15.0	454/18.0	468/18.5	473/18.5
H	390/15.3	470/18.5	575/22.5	660/26.0	775/30.5
D	255/10.0	305/12.0	356/14.0	445/17.5	445/17.5

Notes

- 4" to 12" valves are UL listed.
- Designs, materials and specifications shown are subject to change without notice due to the continuous development of our products.