

C509 NRS Resilient Wedge Gate Valve PO x FL Ends

MODEL 3200

Specifications

- Meet or exceed the requirements of AWWA C509 standard.
- Full waterway.
- 2" Square Operating Nut.
- Bolted bonnet.
- EPDM Fully Encapsulated Ductile Iron Wedge.
- Triple O-Ring stem seal.
- Flange and drilling complies with ASTM B16.1 Class 125.
- Push-on joint outlet complies with ANSI/AWWA C110/A21.10 standard.

- UL/ULC 262 listed, FM 1120/1130 approved.
- Certificated to ANSI/NSF 61 & 372.

Working Pressure and Temperature

- 300 psi rated @ -10°C to 82°C.

Corrosion Protection

- Fusion bonded coating interior and exterior meet or exceed all applicable of AWWA C550 standard.

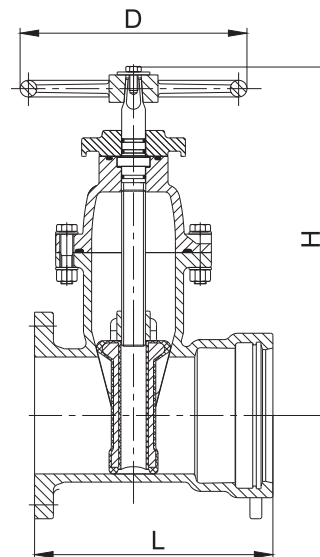
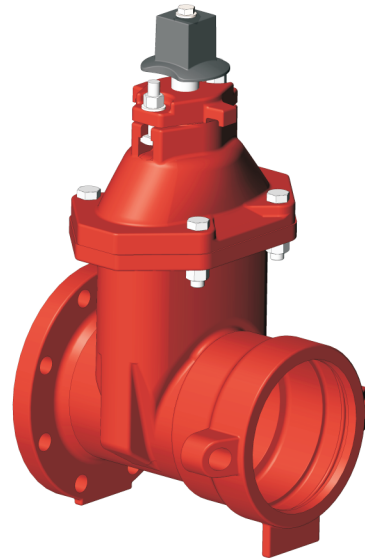
Options

- ASTM B150 or other standard bronze stem.
- ASTM A276 Grade 316 stem.
- 316 Stainless steel fasteners.
- Post flange.
- Handwheel

Material Specification

| Part | Material | ASTM Specification |
|--------------------|--|---------------------|
| Body | Ductile Iron | A536 Grade 65-45-12 |
| Wedge | EPDM Fully Encapsulated Ductile Iron Wedge | |
| Wedge Nut | Bronze | B148 C95200 |
| Bonnet | Ductile Iron | A536 Grade 65-45-12 |
| Stem | Stainless Steel | A276 Grade 304 |
| Gland | Ductile Iron | A536 Grade 65-45-12 |
| Operating Nut | Ductile Iron | A536 Grade 65-45-12 |
| Post Flange | Ductile Iron | A536 Grade 65-45-12 |
| Fasteners | Stainless Steel | F593 Grade 304 |
| Body/Bonnet Gasket | NBR | D2000 |

Schematic



Main Dimensions (mm/inch)

| Size | 4 | 6 | 8 | 10 | 12 |
|------|----------|----------|----------|----------|----------|
| L | 292/11.5 | 322/12.5 | 373/14.5 | 399/15.5 | 415/16.5 |
| H | 390/15.3 | 470/18.5 | 575/22.5 | 660/26.0 | 775/30.5 |
| D | 255/10.0 | 305/12.0 | 356/14.0 | 445/17.5 | 445/17.5 |

Notes

- 4" to 12" valves are UL listed.
- Designs, materials and specifications shown are subject to change without notice due to the continuous development of our products.